

DC SPD

SUP2 Series

500VDC/600VDC/800VDC/1000VDC

Technology
Connects human and nature



www.chinasuntree.com



HEAT DISSIPATION HOLE

Quickly dissipate heat, reduce the service temperature

PLUG-IN CLIPS

Easy module replacement



FLASH BARRIER


Prevent arc propagation in current impact

HIGH RELIABILITY

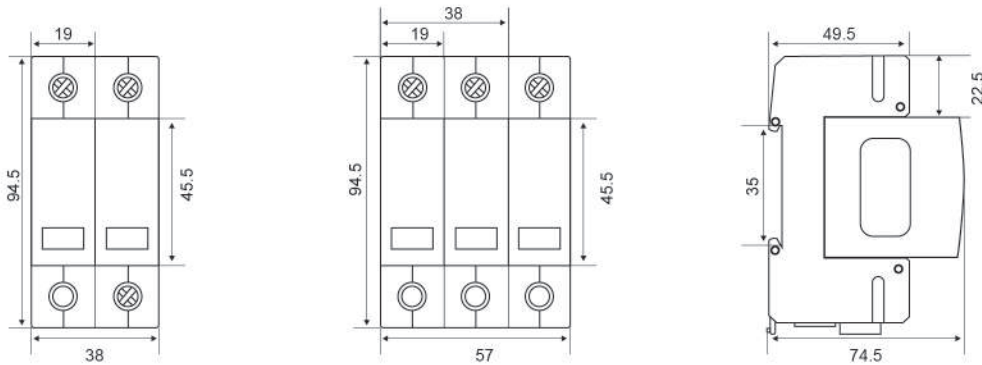
Single chip voltage up to 400V



MODEL AND SIGNIFICANCE

S	UP	2	H	-	PV	/		X
Enterprise code	Surge protector device	Design Number	H:275V/500VDC H1:1000VDC H6:600VDC H8:800VDC		PV codeDC dedicated		Maximum accommodating40kA	Remote sensing

DIMENSIONS (mm)



IN ORDER TO AVOID VERY COSTLY DAMAGES RESULTING FROM A DIRECT OR INDIRECT LIGHTNING STRIKE, IT IS HIGHLY RECOMMENDED TO INSTALL SURGE PROTECTORS AT KEY POINTS IN THE PV SYSTEM. SUNTREE YOUR EXPERTS FOR SURGE PROTECTION



DC SURGE PROTECTOR

- SUP2H-PV/500VDC/2P
- SUP2H6-PV/600VDC/2P
- SUP2H8-PV/800VDC/2P
- SUP2H1-PV/1000VDC/3P

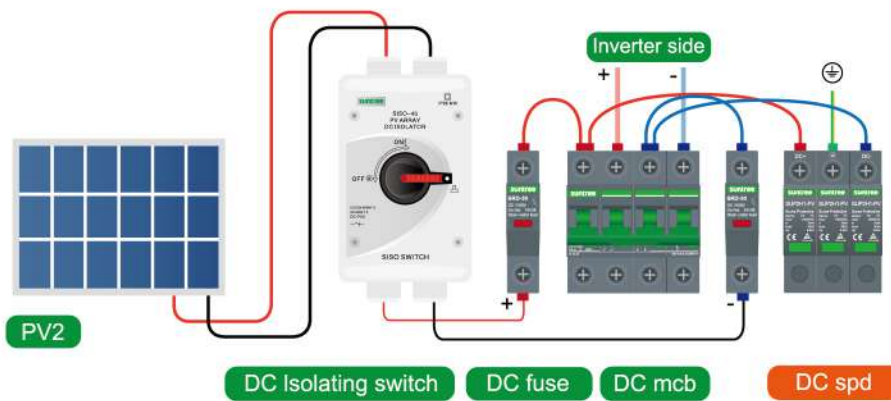
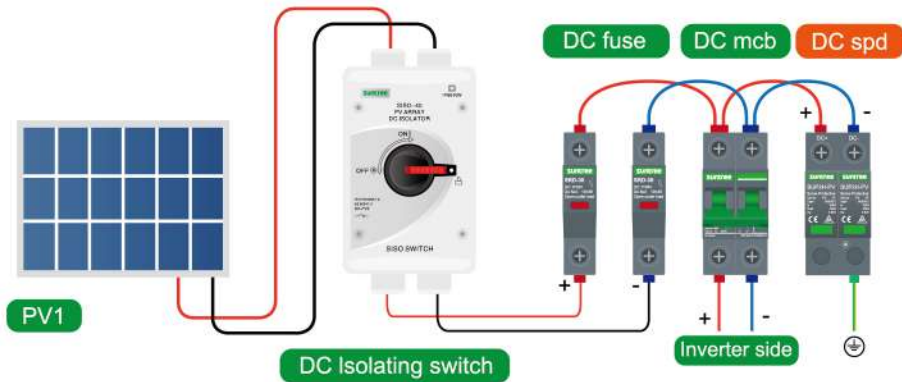
ELECTRICAL TECHNICAL REFERENCE

Product Model	SUP2H-PV		SUP2H6-PV	SUP2H8-PV	SUP2H1-PV	
	Max. continuous operating voltage (Uc)	275VDC	500VDC	600VDC	800VDC	1000VDC
Max. discharge current (Imax)(8/20us)	20、40KA					
Protection level (In)Up	2.8kV	2.8kV	2.8kV	3.0kV	3.6kV	4.0kV
Service temperature	-40°C~+70°C					
Relative humidity	≤95%(25°C)					
Installation mode	35mm standard guide rail					
Window indication	Normal: green; Failure: Red					
Ingress protection	IP20					
Numbers of poles	1P、2P、3P					
Leakage 0.75u lmA(uA)	≤20					



APPLICATION IN HOUSEHOLD GRID-CONNECTED SYSTEMS

WIRING DIAGRAM




WIRING DIAGRAM IS FOR REFERENCE ONLY, FOR MORE INFORMATION ABOUT WIRING SOLUTIONS, PLEASE CONTACT THE SALESMAN

INSTALLATION PRECAUTIONS

- The normal range of ambient air temperature should be no higher than +40°C and no lower than -25°C, with a relative humidity of no more than 95%; The altitude of the installation site shall not exceed 2000m;
 - Pollution class 3;
 - Where there is no risk of explosion and the medium is free of gases and conductive dusts sufficient to corrode metals and destroy insulation.
- Wiring resistance
- Grounded copper bus-bar



 Add: Xinguang Industrial Zone, Liushi, Yueqing Zhejiang China

 Tel: +86-577-62890205

 E-mail: tony@chinasuntree.com

 www.chinasuntree.com