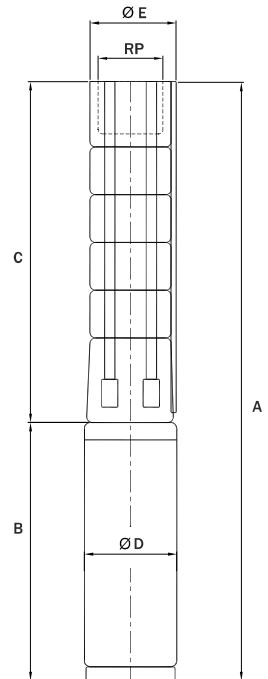
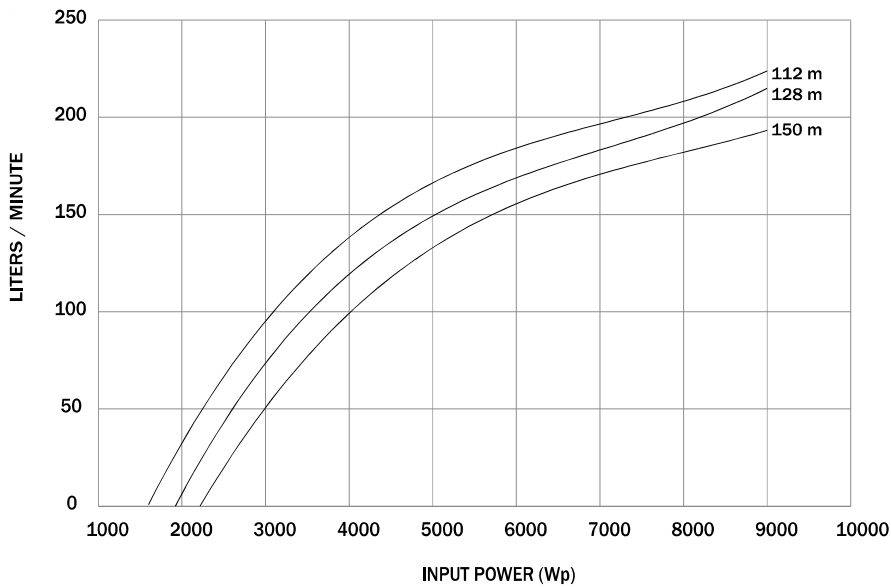


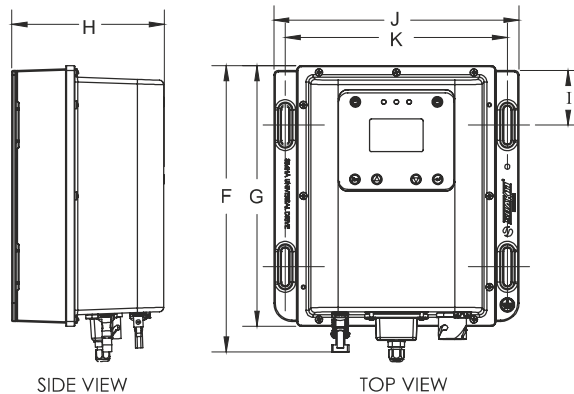
**SOLAR PUMPING SYSTEM**



SOLAR 12 DCSSP 9000  
 BSP 50 mm (6X4)  
 PUMPSET CODE : 9500000605  
 DISCHARGE (LPD) : 85500  
 DISCHARGE (LPW) : 9.5  
 DUTY HEAD : 150 METER  
 CHOKE CODE : 9600000025



	INPUT POWER (Wp)						
	9000	7200	5400	3600	2200	2000	1600
HEAD (m)	FLOW IN LPM						
150	194	170	148	78	0		
128	215	185	160	100	30	0	
112	223	202	170	125	50	30	0



CONTROLLER CODE : 9600000094