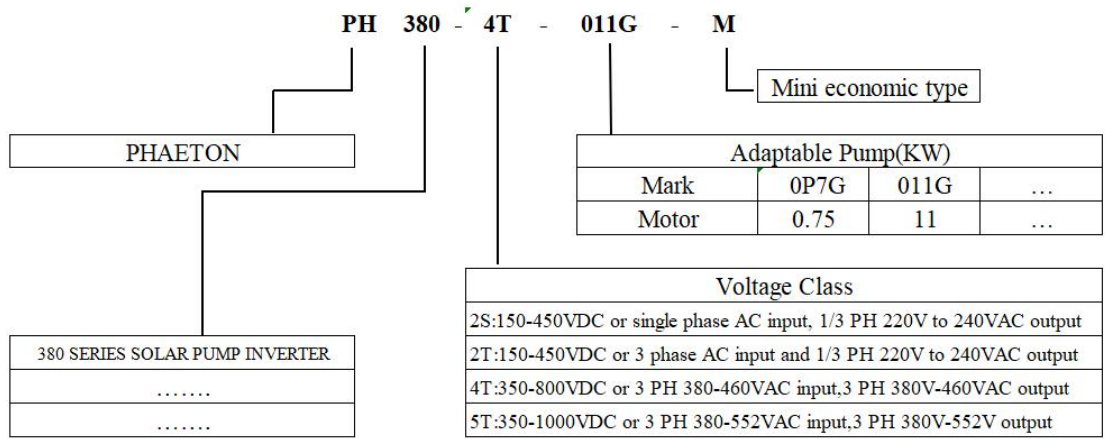
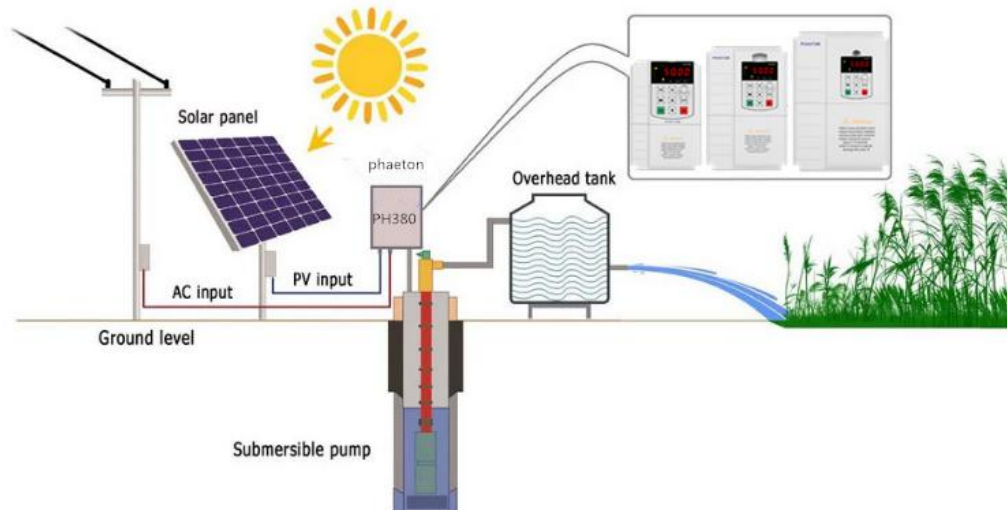




PH380 series Solar Pump Inverter features and Specifications

Model explanation:





Main Features: (Power range: 0.75kw-11kw 220v, 0.75kw-400kw 380v)

- ① Built-in MPPT function and efficiency up to 99.6%
- ② Could drive both AM and PMSM pump
- ③ Advanced software technology and perfect in driving PMSM pump
- ④ Perfect stability in output frequency
- ⑤ Remote control and monitoring by GPRS system(Available in PC and mobile)
- ⑥ Dry run function to protect the pump
- ⑦ Automatic start and stop function
- ⑧ DC and AC as input power source accepted
- ⑨ Low voltage input down to 60VDC input for 110V/220V pump solution

Model Selection List:							
SN	Model No.	Rate current	Output voltage (3PH AC)	Applicable for pumps	External of drive size(mm)	MPPT voltage (VDC)	Weight (kg)
Economic type 2S series: Input 150-450V DC or 200 to 240V AC, VOC 350V DC							
1	PH380-2S-0P7G-M	4A	0-220VAC	0.75KW	132*85*123.5	260 to 375	1.2
2	PH380-2S-1P5G-M	7A	0-220VAC	1.5KW	132*85*123.5	260 to 375	1.2
3	PH380-2S-2P2G-M	10A	0-220VAC	2.2KW	151*100*127	260 to 375	1.4
Economic type 4T series: Input 350 to 800V DC or 380 to 460V AC, VOC 620V DC							
1	PH380-4T-0P7G-M	2.5A	380V-440V	0.75KW	132*85*123.5	486 to 750	1.2
2	PH380-4T-1P5G-M	3.7A	380V-440V	1.5KW	132*85*123.5	486 to 750	1.2
3	PH380-4T-2P2G-M	5A	380V-440V	2.2KW	132*85*123.5	486 to 750	1.2
4	PH380-4T-004G-M	10A	380V-440V	4KW	151*100*127	486 to 750	1.4
General type 2S series : Input 150 to 450V DC or 200 to 240V AC, VOC 350 VDC							
1	PH380-2S-0P7G	4A	220V/240V	0.75KW	252*195*230	260 to 375	2
2	PH380-2S-1P5G	7A	220V/240V	1.5KW	252*195*230	260 to 375	2
3	PH380-2S-2P2G	10A	220V/240V	2.2KW	252*195*230	260 to 375	2.5
4	PH380-2S-004G	16A	220V/240V	4.0KW	315*235*253	260 to 375	4.3
General type 4T series : Input 350 to 800V DC or 380 to 460V AC, VOC 620V DC							
1	PH380-4T-0P7G	2.5A	380V-440V	0.75KW	252*195*230	486 to 750	2
2	PH380-4T-1P5G	3.7A	380V-440V	1.5KW	252*195*230	486 to 750	3
3	PH380-4T-2P2G	5A	380V-440V	2.2KW	252*195*230	486 to 750	3
4	PH380-4T-004G	10A	380V-440V	4KW	252*195*230	486 to 750	3
5	PH380-4T-5P5G	13A	380V-440V	5.5KW	315*235*253	486 to 750	4.2
6	PH380-4T-7P5G	17A	380V-440V	7.5KW	315*235*253	486 to 750	4.3
7	PH380-4T-011G	22A	380V-440V	11KW	315*235*253	486 to 750	4.5
8	PH380-4T-015G	30A	380V-440V	15KW	395*295*275	486 to 750	7.3
9	PH380-4T-018G	37A	380V-440V	18KW	395*295*275	486 to 750	7.5
10	PH380-4T-022G	45A	380V-440V	22KW	395*295*275	486 to 750	12
11	PH380-4T-030G	60A	380V-440V	30KW	640*410*390	486 to 750	17
12	PH380-4T-037G	75A	380V-440V	37KW	640*410*390	486 to 750	17.5
13	PH380-4T-045G	91A	380V-440V	45KW	700*410*460	486 to 750	35
14	PH380-4T-055G	110A	380V-440V	55KW	700*410*460	486 to 750	36
15	PH380-4T-075G	150A	380V-440V	75KW	680*485*415	486 to 750	45
16	PH380-4T-093G	180A	380V-440V	93KW	680*485*415	486 to 750	51
17	PH380-4T-110G	220A	380V-440V	110KW	680*485*415	486 to 750	54
18	PH380-4T-132G	250A	380V-440V	132KW	885*535*370	486 to 750	55
19	PH380-4T-160G	310A	380V-440V	160KW	885*535*370	486 to 750	86
22	PH380-4T-***G	***	380V-440V	185-400KW	*****	486 to 750	***

Company: SHENZHEN PHAETON ELECTRIC CO.,LTD
Address: Block A,No.60 Shi' long avenue,Shi Yan,Bao' an District,Shenzhen city,China 518000
Tel: +8613424310478
Email: info@phaetondrive.com / phaetonelectric@gmail.com
Facebook/Youtube: PHAETON inverter

Technical Specifications:	
Recommended MPPT voltage range	Vmpp 280 to 375VDC for 2S model (150V to 450VDC input, 3PH 220 to 240VAC output)
	Vmpp 486 to 750 VDC for 4T model (250V to 800VDC input, 3PH 380 to 440VAC output)
Recommended input voltage (Voc and Vmpp)	Voc 355V DC, Vmpp 310V DC for 2S model or 220V AC pumps
	Voc 620V DC, Vmpp 540V DC for 4T model or 380V AC pumps
Motor type	Control for permanent magnet synchronous motor(PMSM) and asynchronous motor(AM)
Input power	DC power from solar arrays or AC grid power
Maximum DC power input	450VDC for 220V AC Pump / 800VDC for 380V AC Pump
Rated output voltage	3-phase 220V or 3-phase 380V/440V
Output frequency range	0~50/60Hz
MPPT efficiency	99.60%
Ambient temperature range	-10°C TO 50°C
Solar pump control special performance	MPPT (maximum power point tracking), CVT (constant voltage tracking), auto/manual operation, dry run protection, low stop frequency protection, minimum power input, motor maximum current protection, flow calculating, energy generated calculating
Protection function	Phase loss protection, phase short circuit protection, ground to phase circuit protection, input and output short circuit protection. Stall protection
Protection degree	IP20-Air force cooling
Running mode	MPPT,CVT, variable frequency mode
Altitude	Below 1000m; above 1000m, derated 1% for every additional 100m
Standard	CE certificate.Design based on vector control inverter

Diagram:

